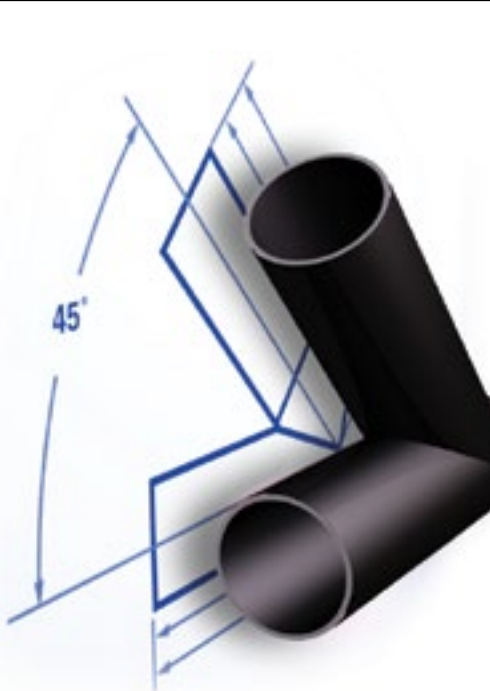
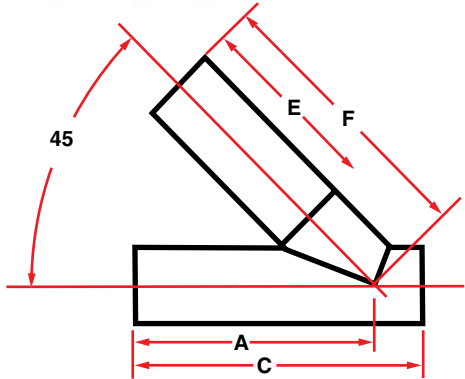




ARCTIC PIPE & UTILITIES LLC

(907) 331-4346
 Emergency (907) 232-6932
 www.arcticpipe.us

True Lateral Wye IPS

Nominal Size (Inch)	Standard Dimensions Ratio	WPR @ 73.4°F	Dimensions, Inches				Weight Lbs	Fabricated
			A	C	E	F		
2	7	200	18.5	25.0	14.6	17.5	4	  <p>WPR = Working Pressure Rating, psig Fabricated fittings are not fully pressure rated. Call for "Technical Considerations"</p>
	11	120					2	
3	7	200	17.3	25.0	14.5	18.7	5	
	11	120					4	
	17	75					3	
4	7	200	19.5	26.5	14.1	19.5	12	
	11	120					9	
	17	75					6	
6	7	200	27.6	35.5	19.9	27.9	35	
	11	120					26	
	17	75					18	
8	7	200	30.4	40.2	20.0	30.4	56	
	11	120					49	
	17	75					36	
	26	15					28	
	7	200	33.0	43.2	20.0	35.0	101	
10	11	120					81	
	17	75					78	
	26	25					62	
	7	200	35.4	46.0	20.0	35.4	148	
12	11	120					122	
	17	75					95	
	26	48					63	
	7	200	39.1	50.0	22.0	38.9	196	
14	11	120					161	
	17	75					135	
	26	48					120	