

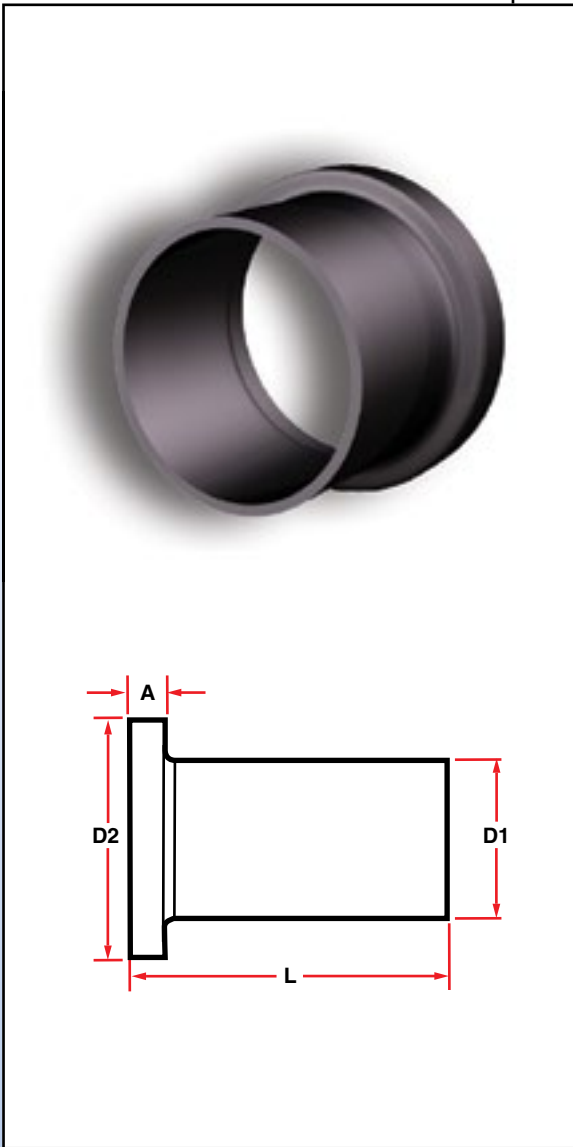


ARCTIC PIPE & UTILITIES LLC

(907) 331-4346  
 Emergency (907) 232-6932  
 www.arcticpipe.us

## Flange Adapter IPS

Nominal Size ( Inch )	Standard Dimensions Ratio	WPR @ 73.4°F	Dimensions, Inches			Weight Lbs	Fabricated
			L	A	D1		
2	7	267	6.0	0.4	2.37	4.0	1
2	11	160					1
3	7	267	6.0	0.6	3.50	5.0	2
3	11	160					2
3	17	100					2
4	7	267	6.0	0.8	4.50	6.6	3
4	11	160					3
4	17	100					3
6	7	267	8.0	1.2	6.62	8.5	8
6	11	160		0.8			7
6	17	100					7
6	26	64					7
8	7	267	11.0	1.6	8.62	10.6	11
8	11	160		0.8			10
8	17	100					10
8	26	64					10
10	7	267	12.0	1.9	10.75	12.8	19
10	11	160		1.3			18
10	17	100		0.9			17
10	26	64		0.8			17
12	7	267	12.0	2.3	12.75	15.0	25
12	11	160		1.5			24
12	17	100		1.0			23
12	26	64		0.8			22
14	7	267	11.0	2.6	14.00	17.5	55
14	11	160		1.7			40
14	17	100		1.1			38
16	7	267	12.0	3.0	16.00	20.0	80
16	11	160		1.9			60
16	17	100		1.8			45
16	26	64		0.8			43



WPR = Working Pressure Rating, psig