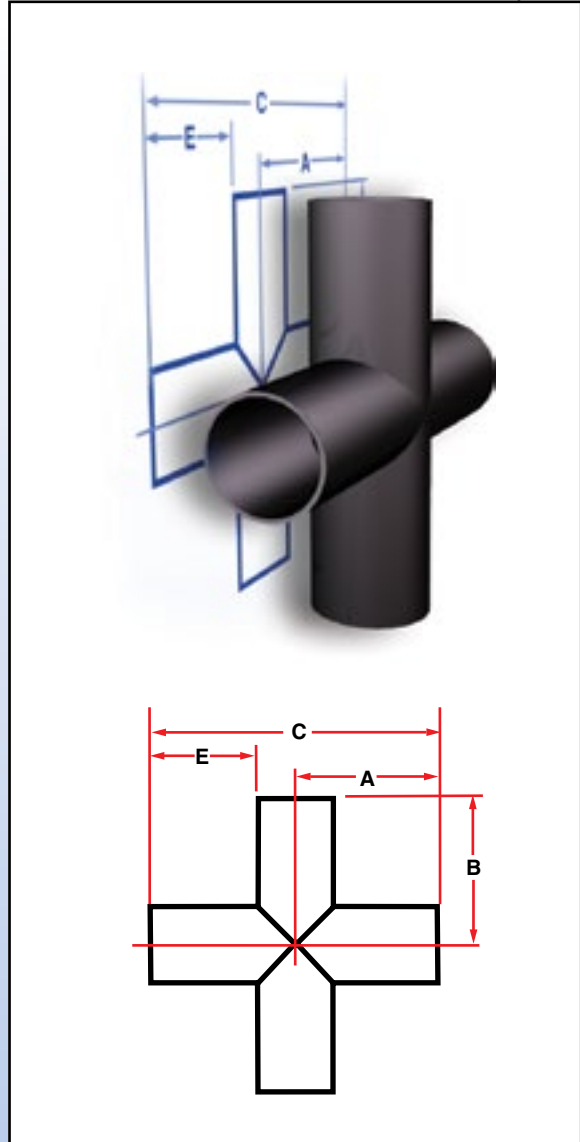




**Fabricated**

Nominal OD (Inch)	Standard Dimensions Ratio	WPR @ 73.4°F	Dimensions, Inches				Weight Lbs	
			A	B	C	E		
2	11	75	2.0	4.8	4.8	9.5	3.0	1.5
3	11	75	3.0	5.1	5.1	10.3	3.0	2.5
4	11	75	4.0	5.6	5.6	11.2	3.0	3.5
6	11	75	6.0	7.4	7.4	14.9	3.0	11.0
8	11	75	8.0	14.0	19.5	28.0	9.7	33.0



All Cross are fabricated out of HDPE PE 3408  
 Fabricated fittings are not fully pressure rated