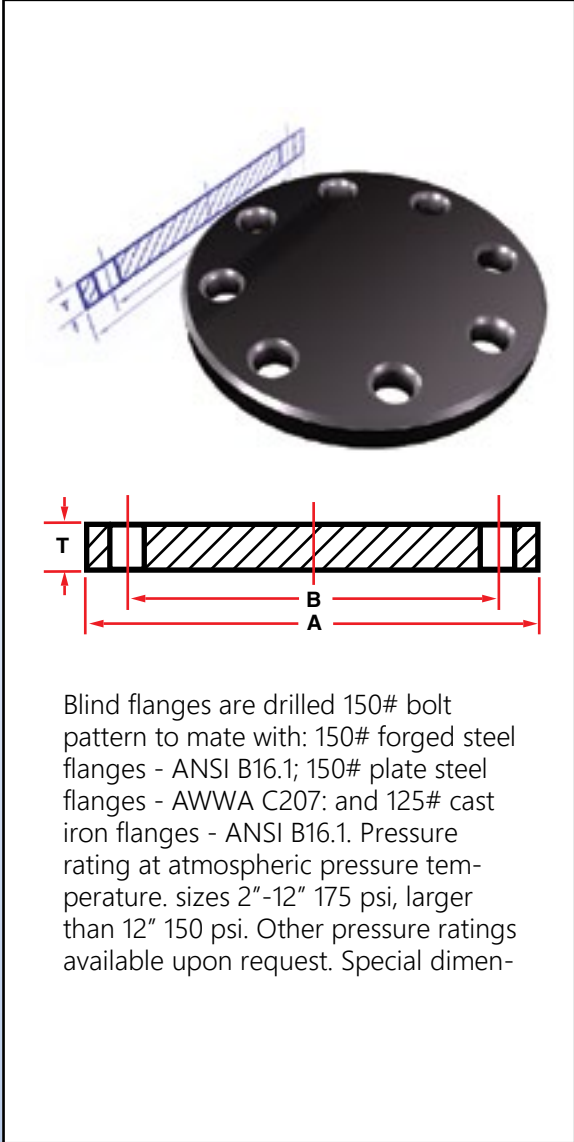




Blind Steel Flange

Nominal Pipe Size	Dimensions, Inches				Hole Diameter	Weight Lbs
				Number of Holes		
1-1/2	5.00	3.88	0.75	4	0.63	4
2	6.00	4.15	0.75	4	0.75	5
3	7.50	6.00	0.75	4	0.75	8
4	9.00	7.60	0.75	8	0.75	12
5	10.00	8.50	0.75	8	0.88	15
6	11.00	9.90	0.75	8	0.88	18
8	13.50	11.76	0.76	8	0.88	27
10	16.00	14.26	0.76	12	1.00	38
12	19.00	17.00	0.75	12	1.00	63
14	21.00	18.75	0.75	12	1.13	89
16	23.50	21.25	0.75	16	1.13	118
18	25.00	22.75	0.75	16	1.25	141
20	27.50	25.00	0.75	20	1.25	182
22	29.50	27.25	0.75	20	1.38	218
24	32.00	29.60	0.75	20	1.38	275
28	36.50	34.00	1.26	28	1.38	369
30	38.75	36.00	1.38	28	1.38	444
32	41.75	38.60	1.25	28	1.50	657
36	46.00	42.75	1.25	32	1.63	735
42	53.00	49.50	1.25	36	1.63	1085
48	60.00	66.00	1.26	44	1.63	1369



Blind flanges are drilled 150# bolt pattern to mate with: 150# forged steel flanges - ANSI B16.1; 150# plate steel flanges - AWWA C207; and 125# cast iron flanges - ANSI B16.1. Pressure rating at atmospheric pressure temperature. sizes 2" -12" 175 psi, larger than 12" 150 psi. Other pressure ratings available upon request. Special dimen-