



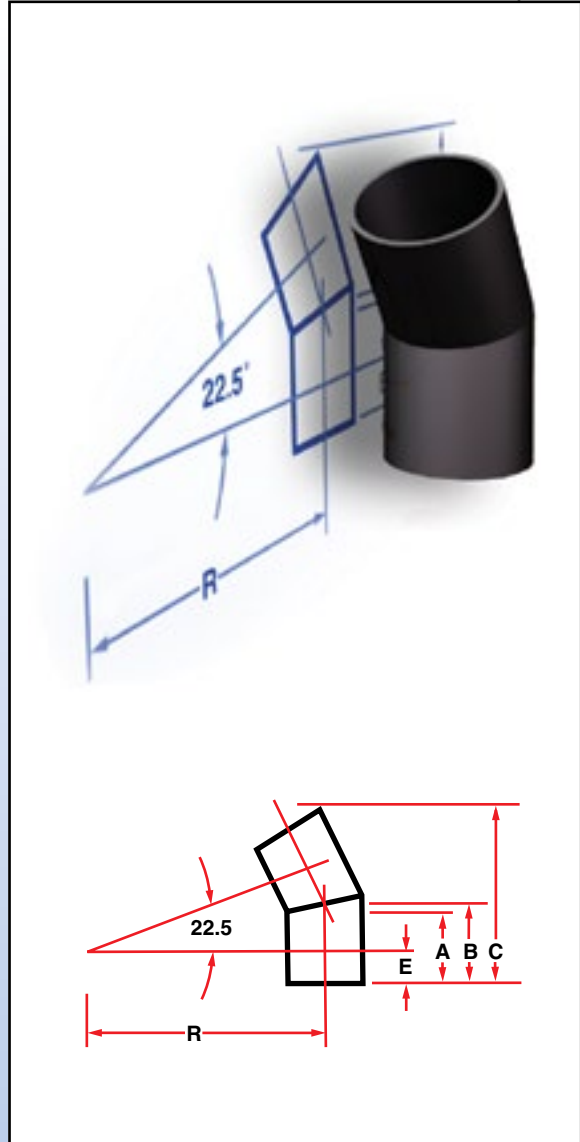
ARCTIC PIPE & UTILITIES LLC

(907) 331-4346  
 Emergency (907) 232-6932  
 www.arcticpipe.us

**22.5° Elbow IPS**

**Fabricated**

Nominal Size (Inch)	Standard Dimensions Ratio	WPR @ 73.4°F	Dimensions, Inches					Weight Lbs
			R	A	B	C	E	
2	7	200	6.5	3.0	3.3	6.5	1.5	0.5
	11	120						0.5
3	7	200	7.4	3.0	3.5	7.4	1.5	1
	11	120						1
	17	75						0.5
4	7	200	11.6	5.0	5.8	11.6	2.5	3
	11	120						2
	17	75						2
6	7	200	14.5	6.0	6.9	14.5	3.0	8
	11	120						5
	17	75						4
8	7	200	15.5	6.0	7.1	15.5	3.0	13
	11	120						9
	17	75						6
	26	48						4
10	7	200	16.6	6.0	7.4	15.6	3.0	19
	11	120						13
	17	75						9
	26	48						6
12	7	200	21.3	8.0	9.7	21.3	4.0	36
	11	120						24
	17	75						16
	26	48						11
14	7	200	22.0	8.0	9.9	22	4.0	43
	11	120						29
	17	75						20
	26	48						13
16	7	200	26.7	10.0	12.1	26.7	5.0	70
	11	120						45
	17	75						32
	26	48						22



WPR = Working Pressure Rating, psig  
 Fabricated fittings are not fully pressure rated. Call for "Technical Considerations"